



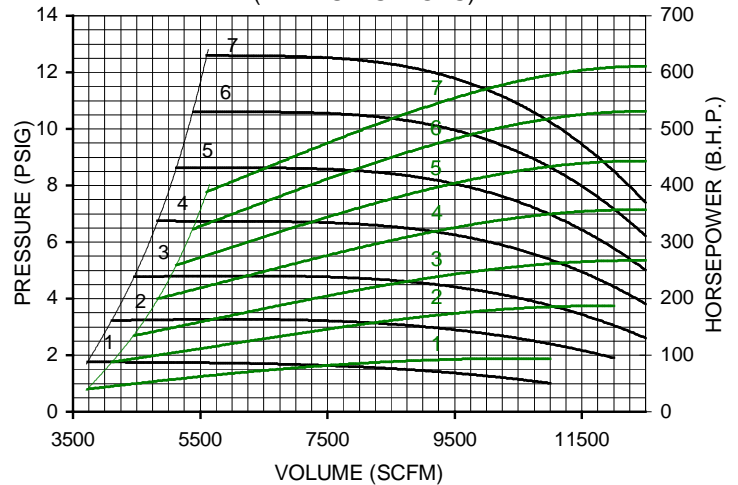
NATIONALTURBINE CORPORATION
 374 Northern Lights Drive
 Syracuse, NY 13212
 888-293-7434 fax 315-455-5545
 www.nationalturbine.com
 sales@nationalturbine.com

CENTURION SERIES TECHNICAL DATA AND DIMENSIONS

NT1441 MULTI STAGE CENTRIFUGAL BLOWER



GENERAL PERFORMANCE CURVE
 (1 THRU 7 STAGES)



Technical Data

Number of Stages	1 through 7
Inlet Connection	18" (457.2 mm) flange, ASA 125# drilling
Outlet Connection	14" (355.6 mm) flange, ASA 125# drilling
Operating Speed	3550 RPM
Maximum Casting Pressure	25 PSIG (1.76 kg/cm ²)
Seals (air)	Labyrinth
Seals (gas)	Carbon ring type
Bearings	Ball, 10-year minimum life per AFBMA B-10 standard
Lubrication	Oil
Impeller Diameter	26" (660.4 mm)
Impeller Tip Speed	24,164 FPM (7,365 m/min)
Drive Type	Direct coupled
Max. Vibration Spec.	0.25 in/sec (ISO overall spec.), 1.25 mils peak to peak
Shaft End	2.875" (73.03 mm) diameter, inlet drive standard
Noise Level	Compliant with OSHA standards (certified test available)

Materials of Construction

Casing	Cast Iron ASTM A48 grade 25/30
Bearing Caps	319 Cast Aluminum
Bearing Housings	Cast Iron ASTM A48 grade 25/30
Oil Reservoir	319 Cast Aluminum
Shaft	Carbon steel AISI 4140 (stainless steel available)
Impellers	Cast aluminum alloy
Labyrinth Seal	ZA-12 Aluminum Bearing Alloy
Carbon Ring Seals	Isostatically molded, high density, fine grain electro-gr
Tie Rods	3/4" diameter cold drawn steel
Air Deflector Rings	Carbon steel (stainless steel available)
Base and Pedestal	Structural steel base, welded steel plate pedestal
Joint Sealing Compound	RTV silicone
Base Pads	Neoprene rubber
Finish	Industrial Enamel



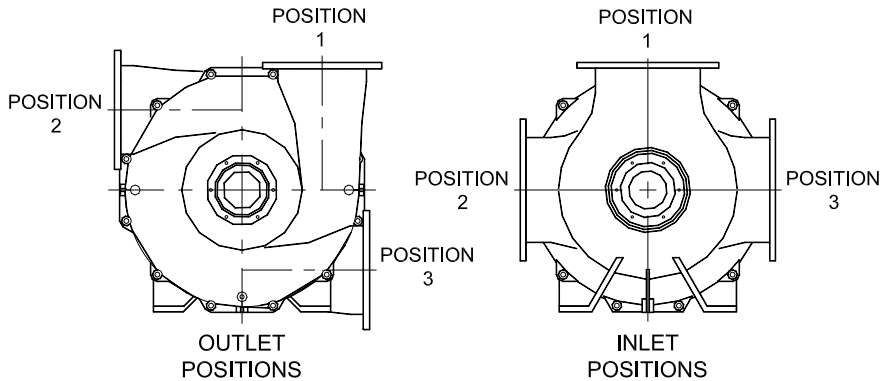
**100% Made in the
 U.S.A.**



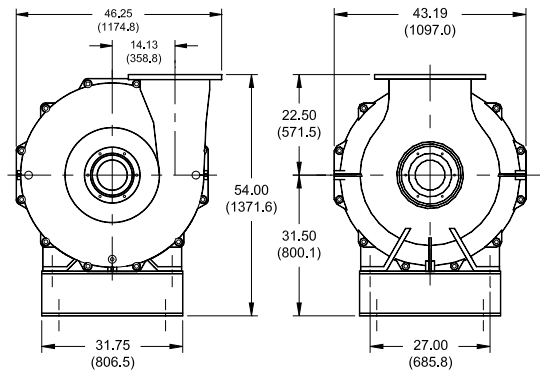
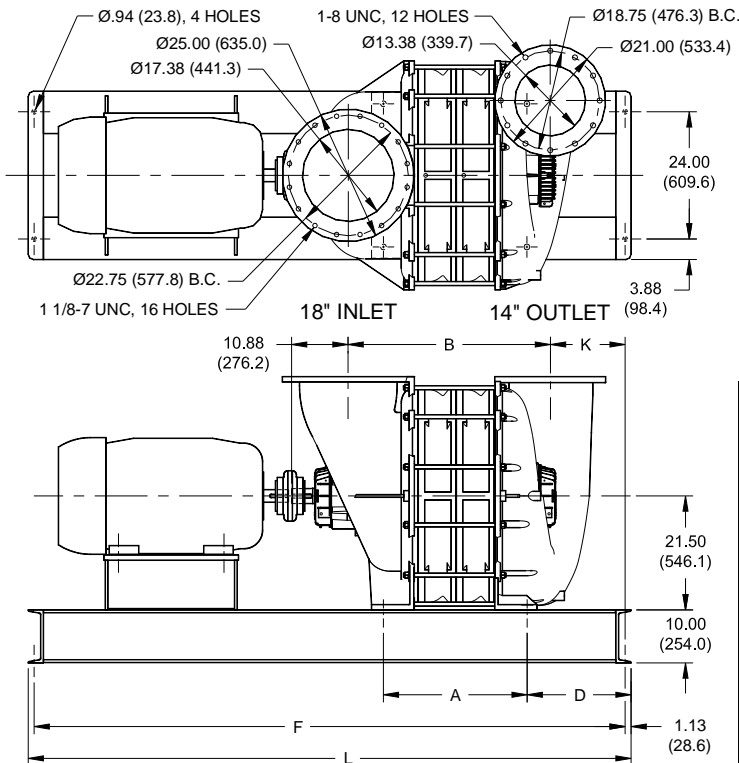
NATIONALTURBINE CORPORATION
 374 Northern Lights Drive
 Syracuse, NY 13212
 888-293-7434 fax 315-455-5545
 www.nationalturbine.com
 sales@nationalturbine.com

CENTURION SERIES TECHNICAL DATA AND DIMENSIONS

Series NT1441 Multistage Centrifugal Blower Inlet/Discharge Orientation Options



Both the inlet and discharge can be configured with three different orientations



MODEL	A	B	D	F	L	K
NT144101	1269	2381	1962	96	9825	14
NT144102	1994	3106	1962	112	11425	14
NT144103	2719	3831	1962	126	12825	14
NT144104	3444	4556	1962	126	12825	14
NT144105	4169	5281	1962	140	14225	14
NT144106	4894	6006	1962	152	15425	14
NT144107	5619	6731	1962	152	15425	14