



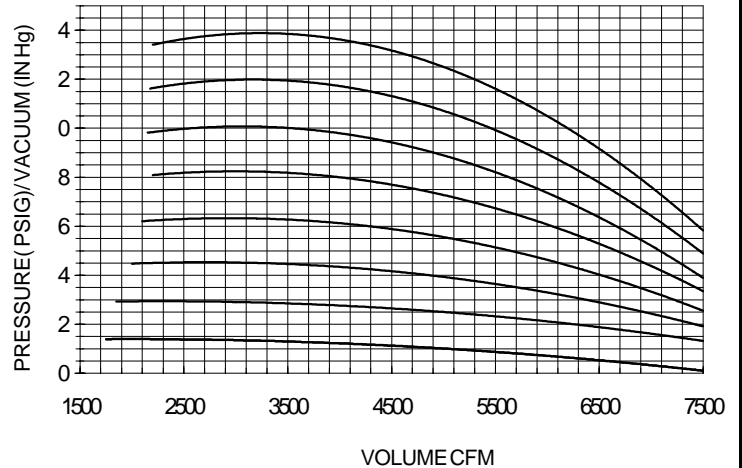
NATIONALTURBINE CORPORATION
 374 Northern Lights Drive
 Syracuse, NY 13212
 888-293-7434 fax 315-455-5545
 www.nationalturbine.com
 sales@nationalturbine.com

CENTURION SERIES TECHNICAL DATA AND DIMENSIONS

NT1226 MULTI STAGE CENTRIFUGAL BLOWER



GENERAL PERFORMANCE



Technical Data

Number of Stages	1 through 8
Inlet Connection	12" (304.8 mm) Flange, ASA 125# Drilling
Outlet Connection	12" (304.8 mm) Flange, ASA 125# Drilling
Operating Speed	3550 RPM
Maximum Casting Pressure	20 PSIG (1.41 kg/cm ²)
Seals (gas)	Packing Gland Style
Seals (air)	Non Contact Labyrinth
Bearings	Ball, 10-year minimum life per AFBMA B-10 standard (U.S.A. Made)
Lubrication	Grease (standard) or Oil (optional)
Impeller Diameter	25" (609.6 mm)
Impeller Tip Speed	23,234 FPM (7082 m/min)
Drive Type	Direct Coupled
Max. Vibration Spec.	0.25 in/sec (ISO overall spec.), 1.25 mils peak to peak
Shaft End	2.25" (57.15 mm) diameter, inlet drive standard
Noise Level	Compliant with OSHA standards (certified test available)

Materials of Construction

Casing	Cast Iron ASTM A48 grade 25/30
Bearing Housings	Cast Iron ASTM A48 Grade 25/30
Bearing Caps	Cast Aluminum Alloy
Oil Reservoir	Cast Aluminum Alloy
Shaft	Carbon Steel AISI 4140 (Stainless Steel Available)
Impellers	Cast Aluminum Alloy
Labyrinth Seal	ZA-12 Zinc Alloy
Tie Rods	Galvanized Steel
Gas Seals	Cast Aluminum Packing Gland with Braided Packing
Air Deflector Rings	Stainless Steel
Base and Pedestal	Structural Steel
Joint Sealing Compound	RTV Silicone
Base Pads	Neoprene Rubber
Standard Finish.....	Industrial Enamel



**100% Made in the
 U.S.A.**

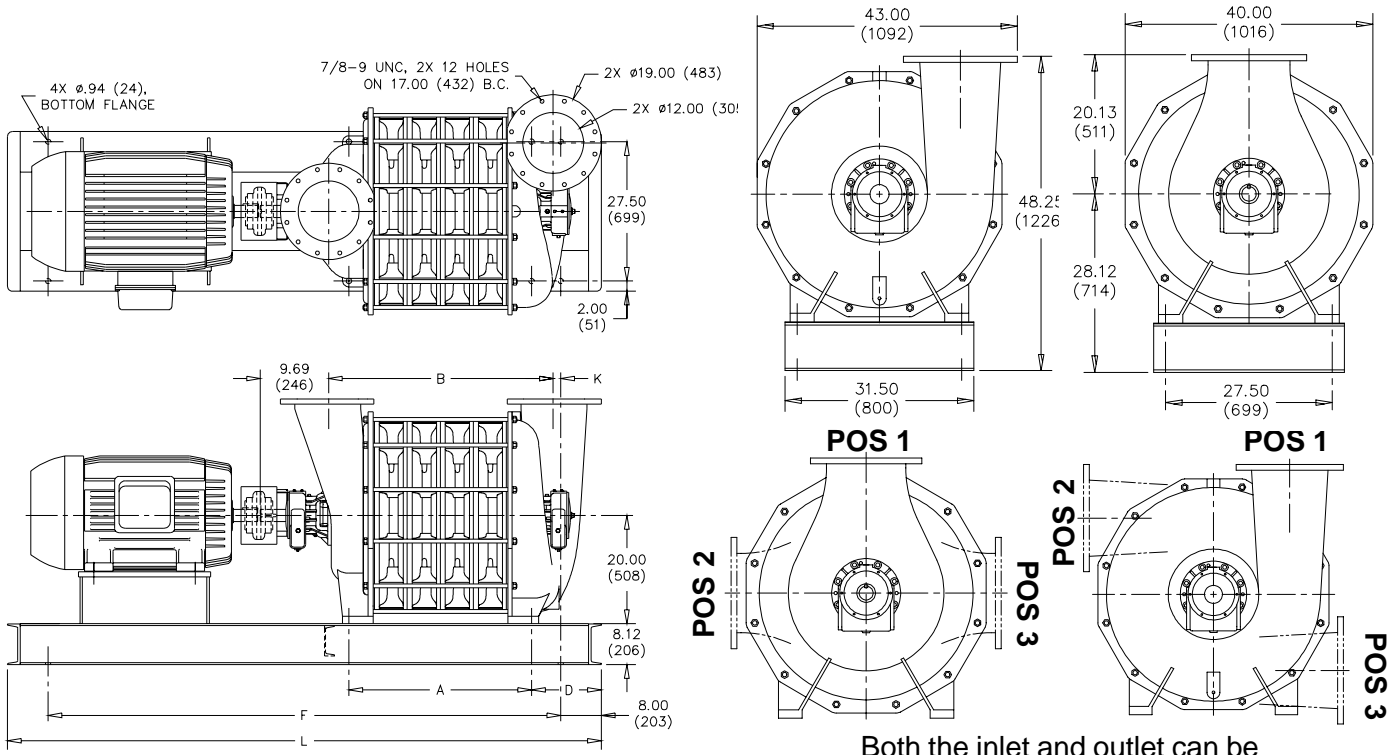


NATIONALTURBINE CORPORATION
 374 Northern Lights Drive
 Syracuse, NY 13212
 888-293-7434 fax 315-455-5545
 www.nationalturbine.com
 sales@nationalturbine.com

CENTURION SERIES TECHNICAL DATA AND DIMENSIONS

Series NT1226 Multistage Centrifugal Blower General Dimensions dimensions in inches (mm)

MODEL	A	B	D	F	L	K
NT122601	8.5 (216)	19.94 (506)	13.5 (343)	69 (1753)	72 (1829)	8.50 (216)
NT122602	14.31 (363)	25.75 (654)	13.5 (343)	77 (1956)	80 (2032)	8.50 (216)
NT122603	20.13 (511)	31.56 (802)	13.5 (343)	90 (2286)	93 (2362)	8.50 (216)
NT122604	25.94 (659)	37.38 (949)	13.5 (343)	98 (2489)	101 (2565)	8.50 (216)
NT122605	31.75 (806)	43.19 (1097)	19.3(490)	114 (2896)	117 (2972)	14.31 (364)
NT122606	37.56 (954)	49.00 (1245)	13.5 (343)	114 (2896)	117 (2972)	8.50 (216)
NT122607	43.38 (954)	54.81 (1392)	13.5 (343)	120 (3048)	123 (3124)	8.50 (216)
NT122608	49.19 (1249)	60.63 (1540)	13.5 (343)	129 (3277)	132 (3353)	8.50 (216)



Both the inlet and outlet can be cast in three different positions