



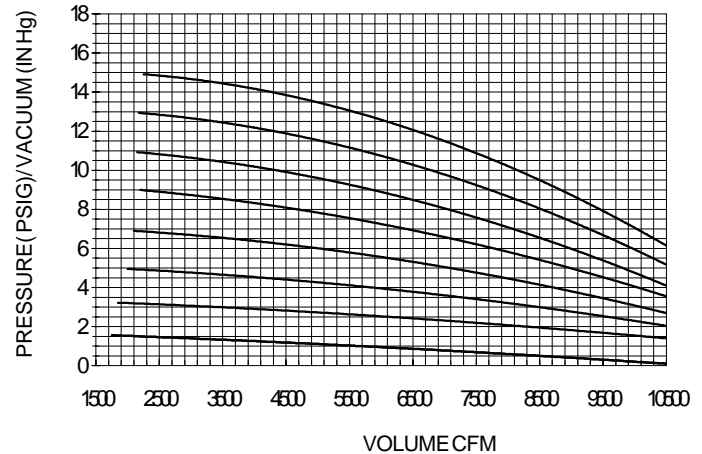
**NATIONALTURBINE CORPORATION**  
 374 Northern Lights Drive  
 Syracuse, NY 13212  
 888-293-7434 fax 315-455-5545  
 www.nationalturbine.com  
 sales@nationalturbine.com

# CENTURION SERIES TECHNICAL DATA AND DIMENSIONS

## NT1223 MULTI STAGE CENTRIFUGAL BLOWER



GENERAL PERFORMANCE (PRELIMINARY)



**Technical Data**

Number of Stages .....	1 through 8
Inlet Connection .....	12" (304.8 mm) Flange, ASA 125# Drilling
Outlet Connection .....	12" (304.8 mm) Flange, ASA 125# Drilling
Operating Speed .....	3550 RPM
Maximum Casting Pressure .....	20 PSIG (1.41 kg/cm <sup>2</sup> )
Seals (gas) .....	Packing Gland Style
Seals (air) .....	Non Contact Labyrinth
Bearings .....	Ball, 10-year minimum life per AFBMA B-10 standard (U.S.A. Made)
Lubrication .....	Grease (standard) or Oil (optional)
Impeller Diameter .....	26" (609.6 mm)
Impeller Tip Speed .....	24,500 FPM (7468 m/min)
Drive Type .....	Direct Coupled
Max. Vibration Spec. ....	0.25 in/sec (ISO overall spec.), 1.25 mils peak to peak
Shaft End .....	2.25" (57.15 mm) diameter, inlet drive standard
Noise Level .....	Compliant with OSHA standards (certified test available)

**Materials of Construction**

Casing .....	Cast Iron ASTM A48 grade 25/30
Bearing Housings .....	Cast Iron ASTM A48 Grade 25/30
Bearing Caps .....	Cast Aluminum Alloy
Oil Reservoir .....	Cast Aluminum Alloy
Shaft .....	Carbon Steel AISI 4140 (Stainless Steel Available)
Impellers .....	Cast Aluminum Alloy
Labyrinth Seal .....	ZA-12 Zinc Alloy
Tie Rods .....	Galvanized Steel
Gas Seals .....	Cast Aluminum Packing Gland with Braided Packing
Air Deflector Rings .....	Stainless Steel
Base and Pedestal .....	Structural Steel
Joint Sealing Compound .....	RTV Silicone
Base Pads .....	Neoprene Rubber
Standard Finish.....	Industrial Enamel



**100% Made in the  
 U.S.A.**

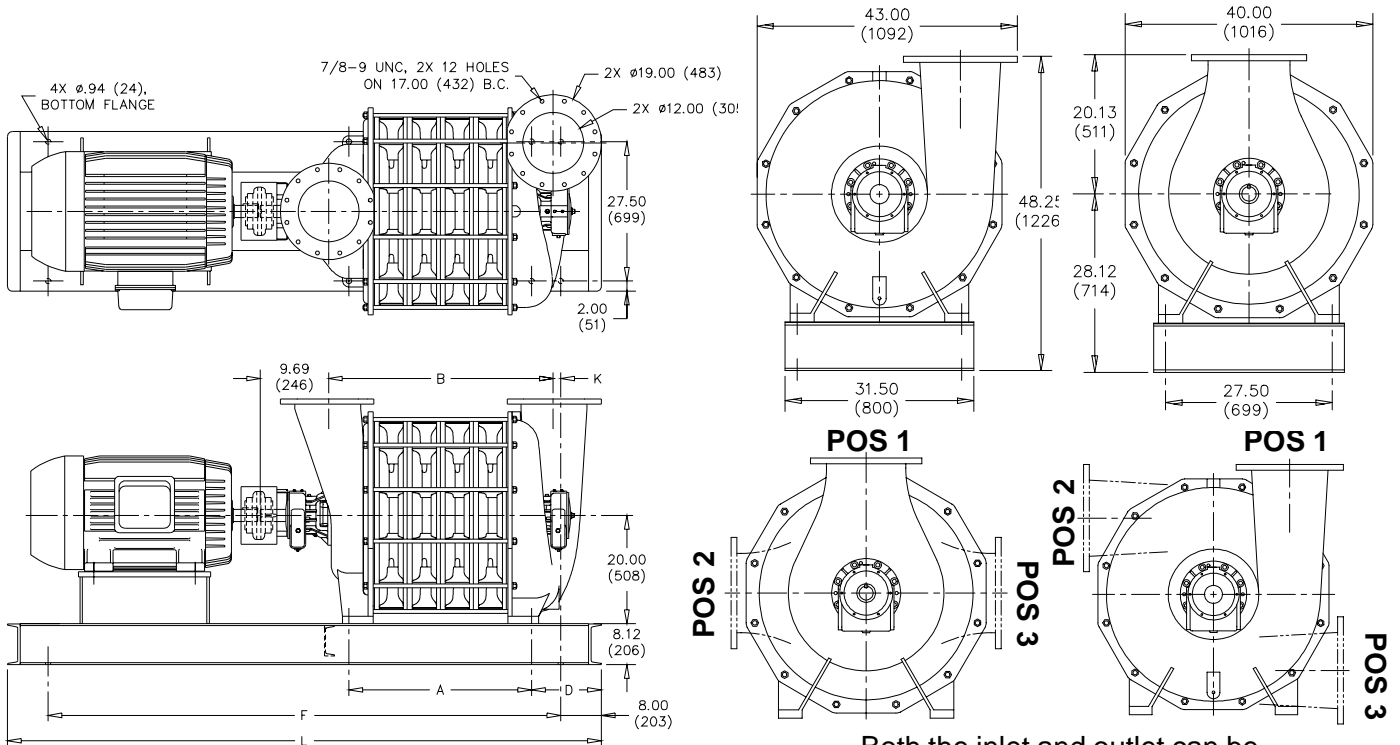


**NATIONALTURBINE CORPORATION**  
 374 Northern Lights Drive  
 Syracuse, NY 13212  
 888-293-7434 fax 315-455-5545  
 www.nationalturbine.com  
 sales@nationalturbine.com

# CENTURION SERIES TECHNICAL DATA AND DIMENSIONS

## Series NT1223 Multistage Centrifugal Blower General Dimensions dimensions in inches (mm) (PRELIMINARY)

MODEL	A	B	D	F	L	K
NT122301	8.5 (216)	19.94 (506)	13.5 (343)	69 (1753)	72 (1829)	8.50 (216)
NT122302	14.31 (363)	25.75 (654)	13.5 (343)	77 (1956)	80 (2032)	8.50 (216)
NT122303	20.13 (511)	31.56 (802)	13.5 (343)	90 (2286)	93 (2362)	8.50 (216)
NT122304	25.94 (659)	37.38 (949)	13.5 (343)	98 (2489)	101 (2565)	8.50 (216)
NT122305	31.75 (806)	43.19 (1097)	19.3(490)	114 (2896)	117 (2972)	14.31 (364)
NT122306	37.56 (954)	49.00 (1245)	13.5 (343)	114 (2896)	117 (2972)	8.50 (216)
NT122307	43.38 (954)	54.81 (1392)	13.5 (343)	120 (3048)	123 (3124)	8.50 (216)
NT122308	49.19 (1249)	60.63 (1540)	13.5 (343)	129 (3277)	132 (3353)	8.50 (216)



Both the inlet and outlet can be cast in three different positions