



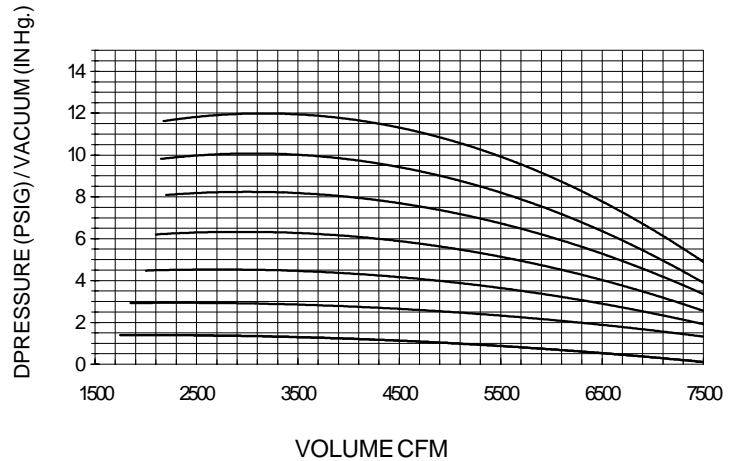
NATIONALTURBINE CORPORATION
 374 Northern Lights Drive
 Syracuse, NY 13212
 888-293-7434 fax 315-455-5545
 www.nationalturbine.com
 sales@nationalturbine.com

CENTURION SERIES TECHNICAL DATA AND DIMENSIONS

NT1222 MULTI STAGE CENTRIFUGAL BLOWER



GENERAL PERFORMANCE CURVES



Technical Data

Number of Stages	1 through 7
Inlet Connection	12" (304.8 mm) flange, ASA 125# drilling
Outlet Connection	12" (304.8 mm) flange, ASA 125# drilling
Operating Speed	3550 RPM
Maximum Casting Pressure	25 PSIG (1.76 kg/cm ²)
Seals (air)	Labyrinth Seals
Seals (gas)	Stuffing Box type (special seals available)
Bearings	Ball, 10-year minimum life per AFBMA B-10 standard
Lubrication	Grease (standard), oil (optional)
Impeller Diameter	25" (635.0 mm)
Impeller Tip Speed	23,235 FPM (7,082 m/min)
Drive Type	Direct coupled
Max. Vibration Spec.	0.25 in/sec (ISO overall spec.), 1.25 mils peak to peak
Shaft End	1.875" (47.63 mm) diameter, inlet drive standard
Noise Level	Compliant with OSHA standards (certified test available)

Materials of Construction

Casing	Cast Iron ASTM A48 grade 25/30
Bearing Caps & Housings	Cast Iron ASTM A48 grade 25/30
Oil Reservoir	Cast Iron ASTM A48 grade 25/30
Shaft	Carbon steel AISI 4140 (stainless steel available)
Impellers	Cast aluminum alloy
Tie Rods	3/4" diameter cold drawn steel
Air Deflector Rings	Stainless Steel (standard)
Base and Pedestal	Structural steel base, welded steel plate pedestal
Joint Sealing Compound	RTV silicone
Base Pads	Neoprene rubber
Finish	Blue enamel over alkyd primer



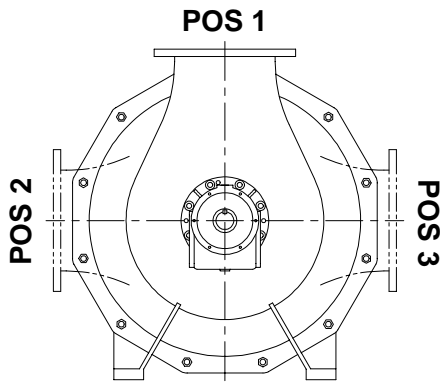
**100% Made in the
 U.S.A.**



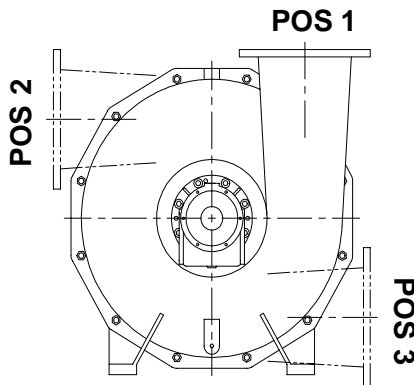
NATIONALTURBINE CORPORATION
 374 Northern Lights Drive
 Syracuse, NY 13212
 888-293-7434 fax 315-455-5545
 www.nationalturbine.com
 sales@nationalturbine.com

CENTURION SERIES TECHNICAL DATA AND DIMENSIONS

Series NT1222 Multistage Centrifugal Blower Inlet / Discharge Orientation Options

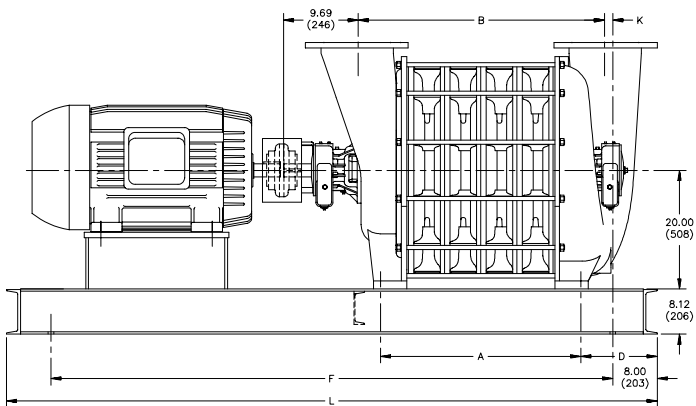
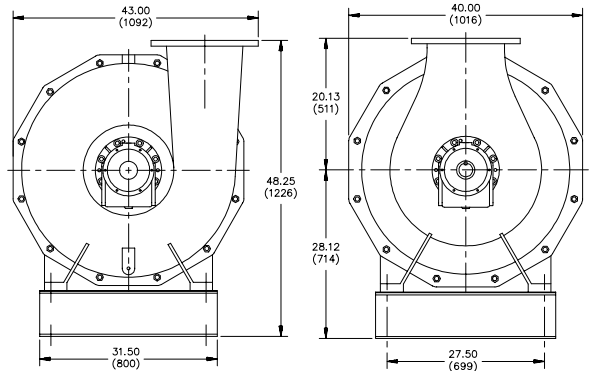
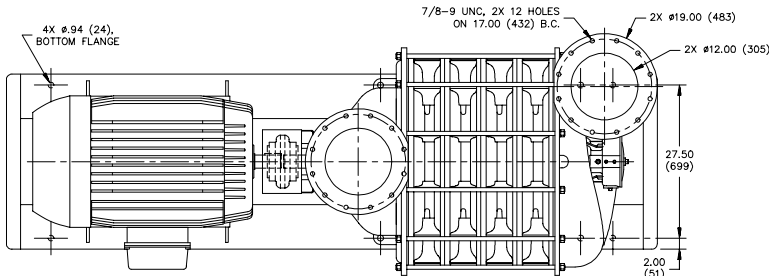


AVAILABLE
 INLET
 POSITIONS



AVAILABLE
 OUTLET
 POSITIONS

Both the inlet and discharge can be configured with three different orientations



MODEL	A	B	D	F	L	K
NT122201	8.5 (216)	19.94 (506)	15.00 (381)	56 (1422)	72 (1829)	20 (51)
NT122202	14.31 (363)	25.75 (654)	15.00 (381)	64 (1626)	80 (2032)	20 (51)
NT122203	20.13 (511)	31.56 (802)	15.00 (381)	77 (1956)	93 (2362)	20 (51)
NT122204	25.94 (659)	37.38 (949)	15.00 (381)	85 (2159)	101 (2565)	20 (51)
NT122205	31.75 (806)	43.19 (1097)	20.81 (529)	101 (2565)	117 (2972)	7.81 (198)
NT122206	37.56 (954)	49.00 (1245)	15.00 (381)	101 (2565)	117 (2972)	20 (51)
NT122207	43.38 (954)	54.81 (1392)	15.00 (381)	107 (2718)	123 (3124)	20 (51)