



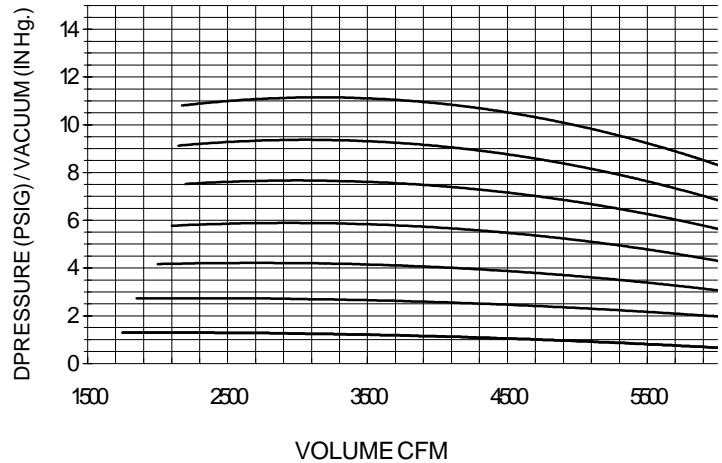
**NATIONALTURBINE CORPORATION**  
 374 Northern Lights Drive  
 Syracuse, NY 13212  
 888-293-7434 fax 315-455-5545  
 www.nationalturbine.com  
 sales@nationalturbine.com

# CENTURION SERIES TECHNICAL DATA AND DIMENSIONS

## NT1221 MULTI STAGE CENTRIFUGAL BLOWER



GENERAL PERFORMANCE CURVES



**Technical Data**

Number of Stages .....	1 through 7
Inlet Connection .....	12" (304.8 mm) flange, ASA 125# drilling
Outlet Connection .....	12" (304.8 mm) flange, ASA 125# drilling
Operating Speed .....	3550 RPM
Maximum Casting Pressure .....	25 PSIG (1.76 kg/cm <sup>2</sup> )
Seals (air) .....	Labyrinth Seals
Seals (gas) .....	Stuffing Box type (special seals available)
Bearings .....	Ball, 10-year minimum life per AFBMA B-10 standard
Lubrication .....	Grease (standard), oil (optional)
Impeller Diameter .....	25" (635.0 mm)
Impeller Tip Speed .....	23,235 FPM (7,082 m/min)
Drive Type .....	Direct coupled
Max. Vibration Spec. ....	0.25 in/sec (ISO overall spec.), 1.25 mils peak to peak
Shaft End .....	1.875" (47.63 mm) diameter, inlet drive standard
Noise Level .....	Compliant with OSHA standards (certified test available)

**Materials of Construction**

Casing .....	Cast Iron ASTM A48 grade 25/30
Bearing Caps & Housings .....	Cast Iron ASTM A48 grade 25/30
Oil Reservoir .....	Cast Iron ASTM A48 grade 25/30
Shaft .....	Carbon steel AISI 4140 (stainless steel available)
Impellers .....	Cast aluminum alloy
Tie Rods .....	3/4" diameter cold drawn steel
Air Deflector Rings .....	Stainless Steel (standard)
Base and Pedestal .....	Structural steel base, welded steel plate pedestal
Joint Sealing Compound .....	RTV silicone
Base Pads .....	Neoprene rubber
Finish .....	Blue enamel over alkyd primer



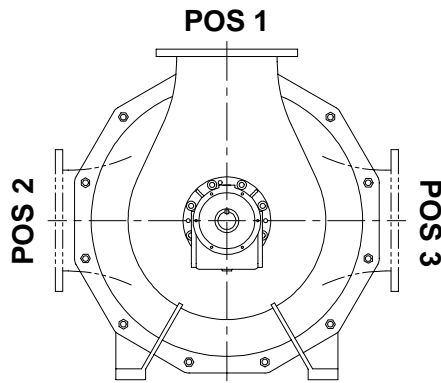
**100% Made in the U.S.A.**



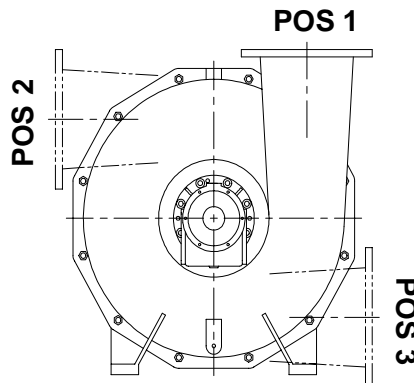
**NATIONALTURBINE CORPORATION**  
 374 Northern Lights Drive  
 Syracuse, NY 13212  
 888-293-7434 fax 315-455-5545  
 www.nationalturbine.com  
 sales@nationalturbine.com

# CENTURION SERIES TECHNICAL DATA AND DIMENSIONS

## Series NT1221 Multistage Centrifugal Blower Inlet / Discharge Orientation Options

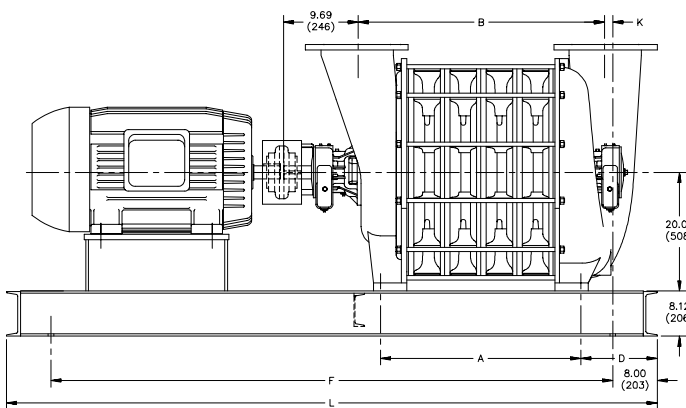
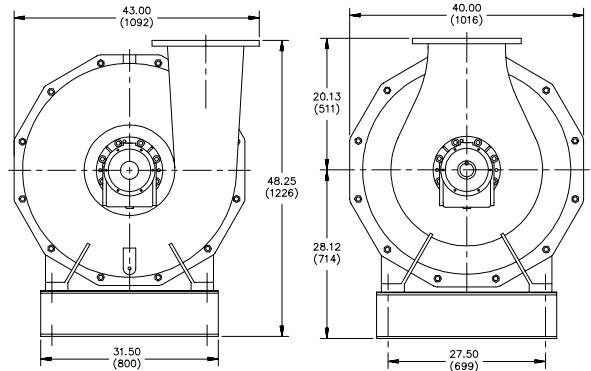
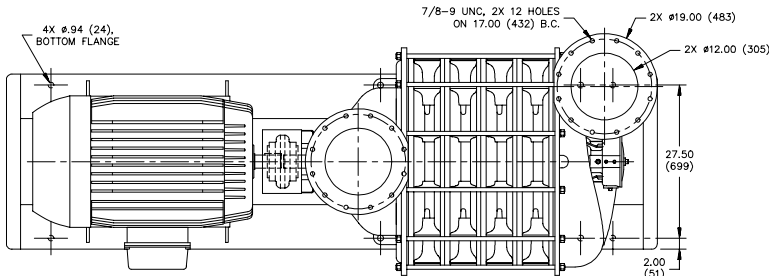


AVAILABLE  
 INLET  
 POSITIONS



AVAILABLE  
 OUTLET  
 POSITIONS

Both the inlet and discharge can be configured with three different orientations



MODEL	A	B	D	F	L	K
NT122101	8.5 (216)	19.94 (506)	15.00 (381)	56 (1422)	72 (1829)	2.0 (51)
NT122102	14.31 (363)	25.75 (654)	15.00 (381)	64 (1626)	80 (2032)	2.0 (51)
NT122103	20.13 (511)	31.56 (802)	15.00 (381)	77 (1956)	93 (2362)	2.0 (51)
NT122104	25.94 (659)	37.38 (949)	15.00 (381)	85 (2159)	101 (2565)	2.0 (51)
NT122105	31.75 (806)	43.19 (1097)	20.81 (529)	101 (2565)	117 (2972)	7.81 (198)
NT122106	37.56 (954)	49.00 (1245)	15.00 (381)	101 (2565)	117 (2972)	2.0 (51)
NT122107	43.38 (954)	54.81 (1392)	15.00 (381)	107 (2718)	123 (3124)	2.0 (51)