



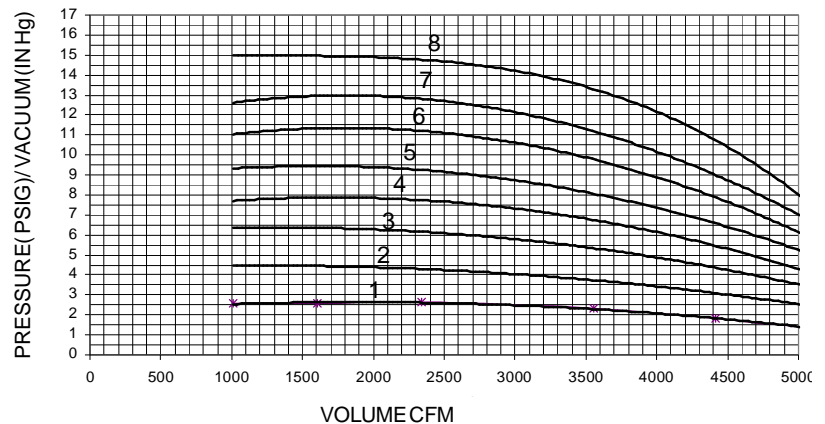
**NATIONALTURBINE CORPORATION**  
 374 Northern Lights Drive  
 Syracuse, NY 13212  
 888-293-7434 fax 315-455-5545  
 www.nationalturbine.com  
 sales@nationalturbine.com

# CENTURION SERIES TECHNICAL DATA AND DIMENSIONS

## NT883 MULTI STAGE CENTRIFUGAL BLOWERS & EXHAUSTERS



GENERAL PERFORMANCE



**Technical Data**

Number of Stages .....	1 through 8
Inlet Connection .....	8" (203.2 mm) Flange, ASA 125# Drilling
Outlet Connection .....	8" (203.2 mm) Flange, ASA 125# Drilling
Operating Speed .....	3550 RPM
Maximum Casting Pressure .....	25 PSIG (1.41 kg/cm <sup>2</sup> )
Seals (gas) .....	Packing Gland Style
Seals (air) .....	Non Contact Labyrinth
Bearings .....	Ball, 10-year minimum life per AFBMA B-10 standard (U.S.A. Made)
Lubrication .....	Grease (standard) or Oil (optional)
Impeller Diameter .....	24" (609.6 mm)
Impeller Tip Speed .....	22,305 FPM (6,799 m/min)
Drive Type .....	Direct Coupled
Max. Vibration Spec. ....	0.25 in/sec (ISO overall spec.), 1.25 mils peak to peak
Shaft End .....	1.875" (47.63 mm) diameter, inlet drive standard
Noise Level .....	Compliant with OSHA standards (certified test available)

**Materials of Construction**

Casing .....	Cast Iron ASTM A48 grade 25/30
Bearing Housings .....	Cast Iron ASTM A48 Grade 25/30
Bearing Caps .....	Cast Aluminum Alloy
Oil Reservoir .....	Cast Aluminum Alloy
Shaft .....	Carbon Steel AISI 4140 (Stainless Steel Available)
Impellers .....	Cast Aluminum Alloy
Labyrinth Seal .....	ZA-12 Zinc Alloy
Tie Rods .....	Galvanized Steel
Gas Seals .....	Cast Aluminum Packing Gland with Braided Packing
Air Deflector Rings .....	Stainless Steel
Base and Pedestal .....	Structural Steel
Joint Sealing Compound .....	RTV Silicone
Base Pads .....	Neoprene Rubber
Standard Finish .....	Industrial Epoxy



**100% Made in the U.S.A.**



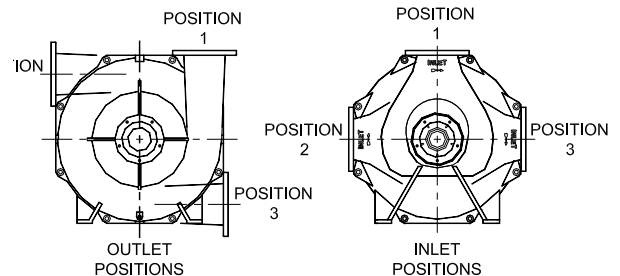
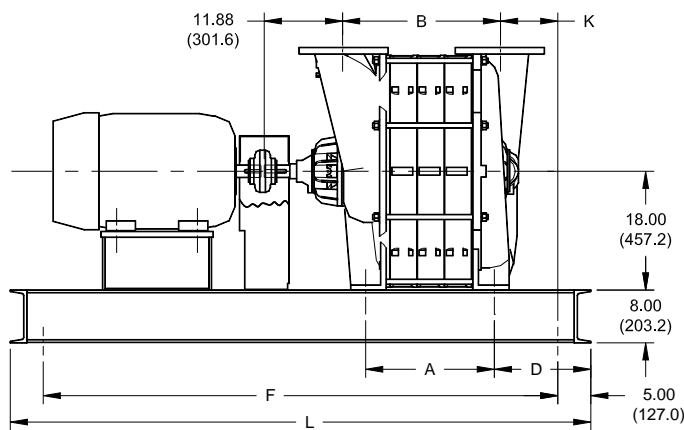
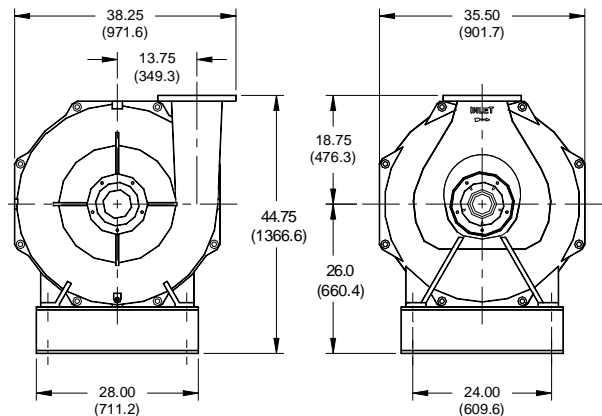
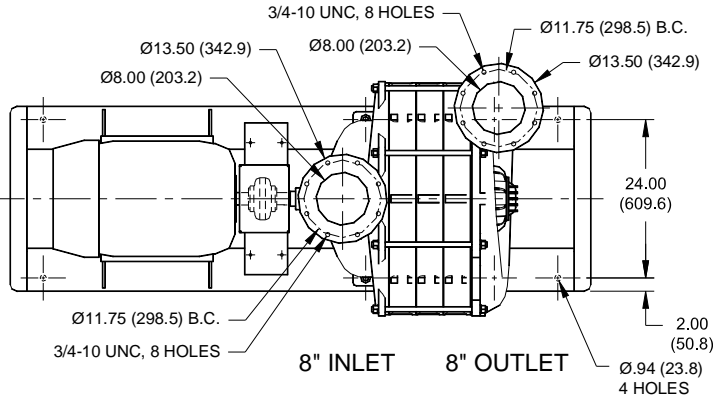
**NATIONALTURBINE CORPORATION**  
 374 Northern Lights Drive  
 Syracuse, NY 13212  
 888-293-7434 fax 315-455-5545  
 www.nationalturbine.com  
 sales@nationalturbine.com

# CENTURION SERIES TECHNICAL DATA AND DIMENSIONS

## Series NT883 Multistage Centrifugal Blowers & Exhausters

### General Dimensions (all dimensions in inches)

MODEL	A	B	D	F	L	K
NT88301	7.38	11.81	10.5	52	62	4.56
NT88302	11.75	16.19	10.5	58	68	4.56
NT88303	16.13	20.56	10.5	65	75	4.56
NT88304	20.5	24.94	14.88	78	88	8.94
NT88305	24.88	29.31	10.5	78	88	4.56
NT88306	29.25	33.69	14.88	92	102	8.94
NT88307	33.63	38.06	10.5	92	102	4.56
NT88308	38.00	42.44	14.88	107	117	8.94



Both the inlet and outlet can be cast in three different positions