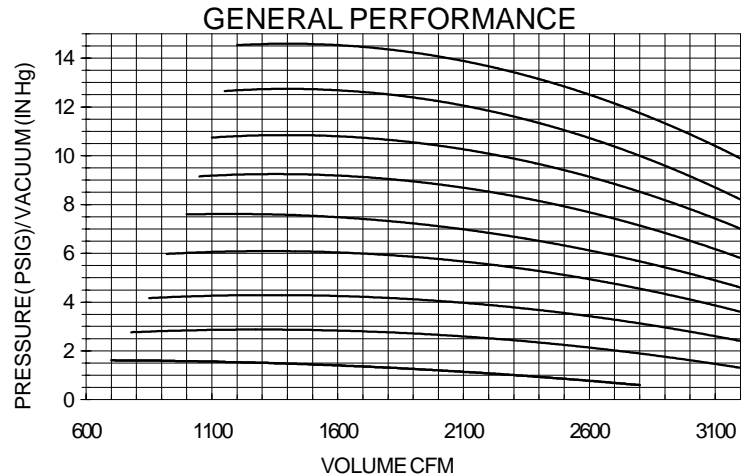
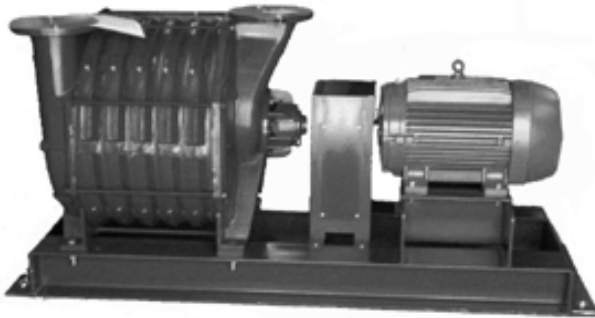




NATIONALTURBINE CORPORATION
 374 Northern Lights Drive
 Syracuse, NY 13212
 888-293-7434 fax 315-455-5545
 www.nationalturbine.com
 sales@nationalturbine.com

CENTURION SERIES TECHNICAL DATA AND DIMENSIONS

NT882 MULTI STAGE CENTRIFUGAL BLOWER



Technical Specifications

- Number of Stages 1 through 9
- Inlet Connection 8" (203.2 mm) flange, ASA 125# drilling
- Outlet Connection 8" (203.2 mm) flange, ASA 125# drilling
- Operating Speed 3550 RPM
- Maximum Casing Pressure 20 PSIG (1.41 kg/cm²)
- Seals (air) Labyrinth
- Seals (gas) Packing Gland (special seals available)
- Bearings Ball, 10-year minimum life per AFBMA B-10 standard
- Lubrication Grease (standard) or Oil (optional)
- Impeller Diameter 24" (609.6 mm)
- Impeller Tip Speed 22,305 FPM (6,799 m/min)
- Drive Type Direct coupled
- Max. Vibration Spec. 0.25 in/sec (ISO overall spec.), 1.25 mils peak to peak
- Shaft End 1.875" (47.63 mm) diameter, inlet drive standard
- Noise Level Compliant with OSHA standards (certified test available)

Materials of Construction

- Casing Cast Iron ASTM A48 grade 25/30
- Bearing Housings Cast Iron ASTM A48 grade 25/30
- Bearing Caps Cast Aluminum Alloy
- Oil Reservoir (with optional Oil Lubrication) Cast Aluminum Alloy
- Shaft Carbon steel AISI 4140 (stainless steel available)
- Impellers Cast aluminum alloy
- Labyrinth Seal ZA - 12 Zinc Alloy
- Tie Rods Galvanized Steel
- Gas Seals Cast aluminum packing gland with braided packing
- Air Deflector Rings Stainless Steel
- Base and Pedestal Structural Steel
- Joint Sealing Compound RTV silicone
- Base Pads Neoprene rubber
- Finish Industrial Enamel



**100% Made in the
 U.S.A.**

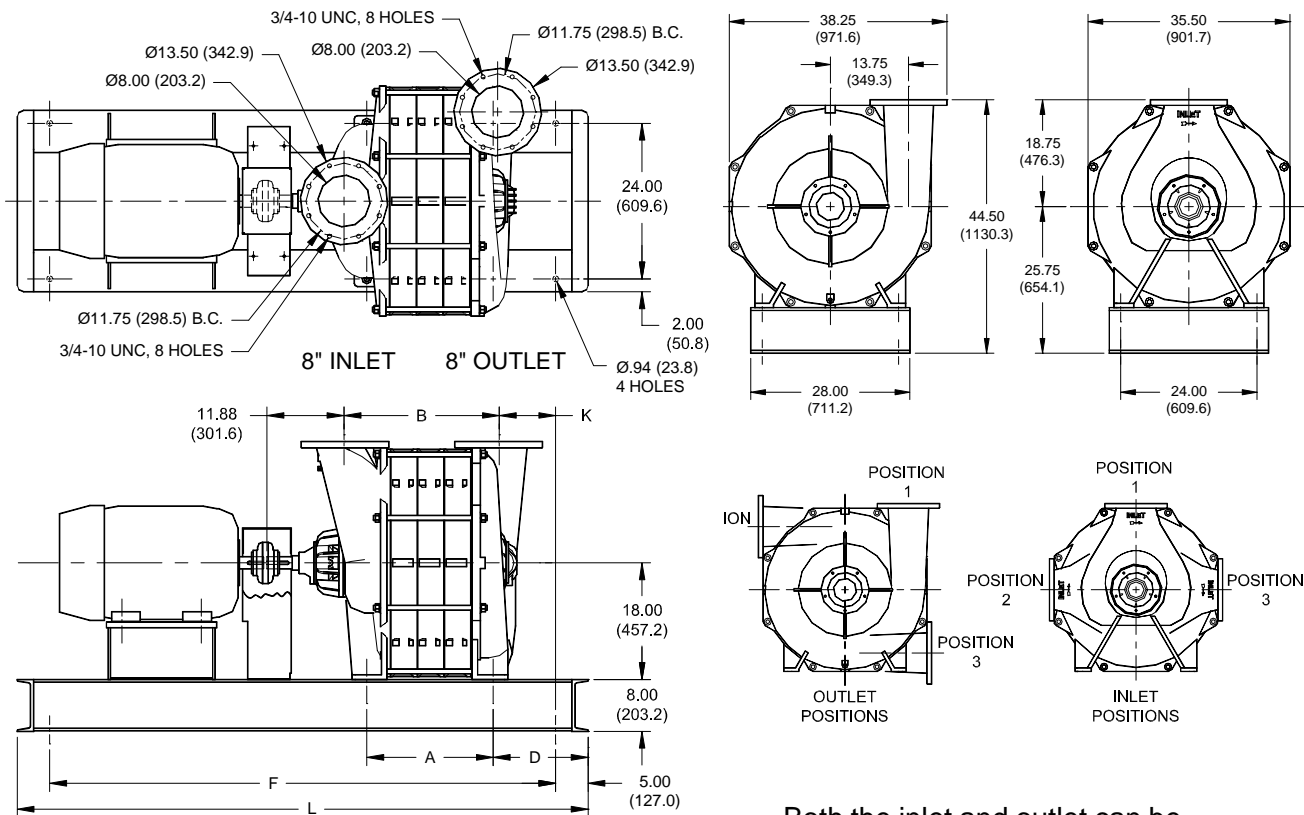


NATIONALTURBINE CORPORATION
 374 Northern Lights Drive
 Syracuse, NY 13212
 888-293-7434 fax 315-455-5545
 www.nationalturbine.com
 sales@nationalturbine.com

CENTURION SERIES TECHNICAL DATA AND DIMENSIONS

Series NT882 Multistage Centrifugal Blower General Dimensions (all dimensions in inches)

MODEL	A	B	D	F	L	K
NT88201	7.13	11.56	10.50	52	62	4.56
NT88202	11.25	15.69	10.50	58	68	4.56
NT88203	15.38	19.81	10.50	65	75	4.56
NT88204	19.50	23.94	14.63	78	88	8.69
NT88205	23.63	28.06	10.50	78	88	4.56
NT88206	27.75	32.19	14.63	92	102	8.69
NT88207	31.88	36.31	10.50	92	102	4.56
NT88208	36.00	40.44	14.63	107	117	8.69
NT88209	40.13	44.56	10.50	107	117	4.56



Both the inlet and outlet can be cast in three different positions