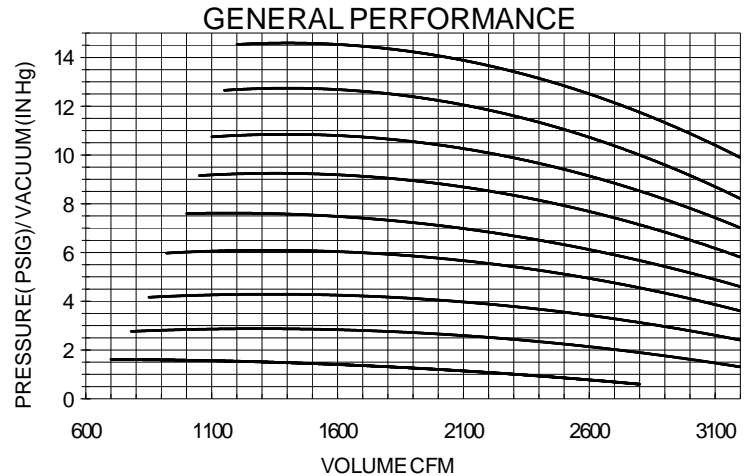




NATIONALTURBINE CORPORATION
 374 Northern Lights Drive
 Syracuse, NY 13212
 888-293-7434 fax 315-455-5545
 www.nationalturbine.com
 sales@nationalturbine.com

CENTURION SERIES TECHNICAL DATA AND DIMENSIONS

NT882 MULTI STAGE CENTRIFUGAL BLOWER



Technical Specifications

Number of Stages	1 through 9
Inlet Connection	8" (203.2 mm) flange, ASA 125# drilling
Outlet Connection	8" (203.2 mm) flange, ASA 125# drilling
Operating Speed	3550 RPM
Maximum Casing Pressure	25 PSIG (1.76 kg/cm ²)
Seals (air)	Labyrinth
Seals (gas)	Packing Gland (special seals available)
Bearings	Ball, 10-year minimum life per AFBMA B-10 standard
Lubrication	Grease (standard) or Oil (optional)
Impeller Diameter	24" (609.6 mm)
Impeller Tip Speed	22,305 FPM (6,799 m/min)
Drive Type	Direct coupled
Max. Vibration Spec.	0.25 in/sec (ISO overall spec.), 1.25 mils peak to peak
Shaft End	1.875" (47.63 mm) diameter, inlet drive standard
Noise Level	Compliant with OSHA standards (certified test available)

Materials of Construction

Casing	Cast Iron ASTM A48 grade 25/30
Bearing Housings	Cast Iron ASTM A48 grade 25/30
Bearing Caps	Cast Aluminum Alloy
Oil Reservoir (with optional Oil Lubrication)	Cast Aluminum Alloy
Shaft	Carbon steel AISI 4140 (stainless steel available)
Impellers	Cast aluminum alloy
Labyrinth Seal	ZA - 12 Zinc Alloy
Tie Rods	Galvanized Steel
Gas Seals	Cast aluminum packing gland with braided packing
Air Deflector Rings	Stainless Steel
Base and Pedestal	Structural Steel
Joint Sealing Compound	RTV silicone
Base Pads	Neoprene rubber
Finish	Industrial Epoxy



**100% Made in the
 U.S.A.**

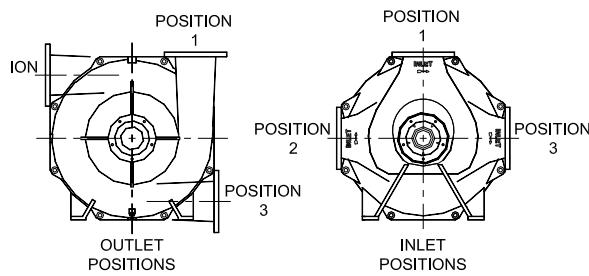
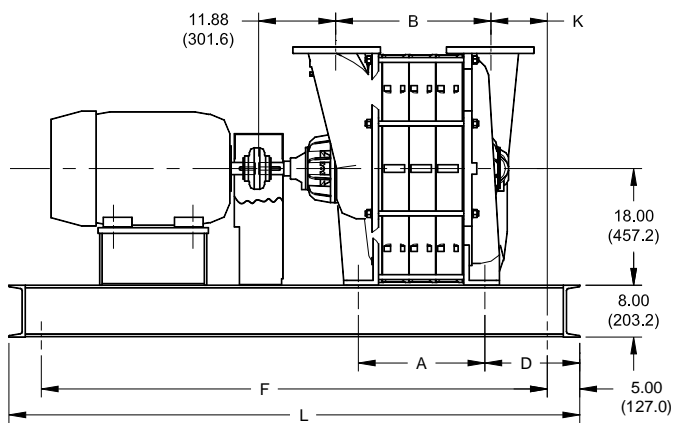
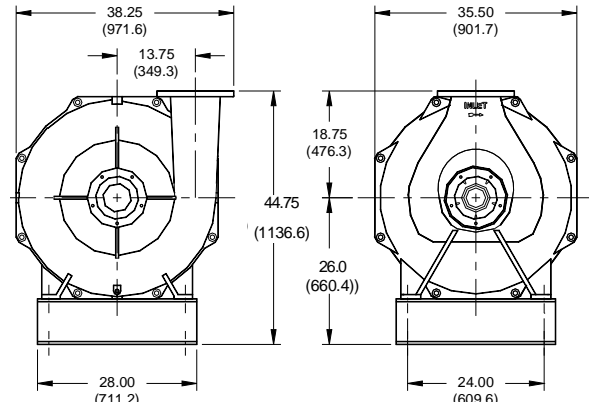
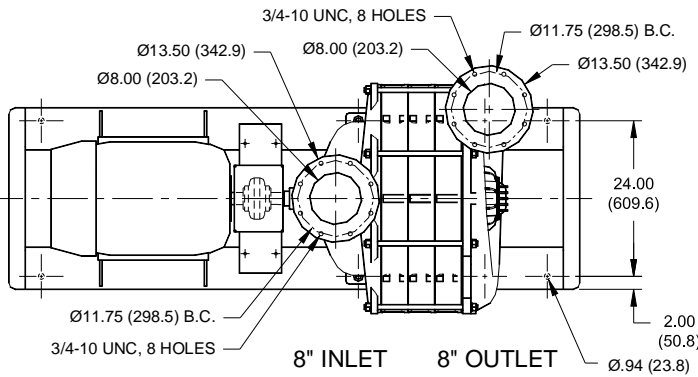


NATIONALTURBINE CORPORATION
 374 Northern Lights Drive
 Syracuse, NY 13212
 888-293-7434 fax 315-455-5545
 www.nationalturbine.com
 sales@nationalturbine.com

CENTURION SERIES TECHNICAL DATA AND DIMENSIONS

Series NT882 Multistage Centrifugal Blower General Dimensions (all dimensions in inches)

MODEL	A	B	D	F	L	K
NT88201	7.13	11.56	10.50	52	62	4.56
NT88202	11.25	15.69	10.50	58	68	4.56
NT88203	15.38	19.81	10.50	65	75	4.56
NT88204	19.50	23.94	14.63	78	88	8.69
NT88205	23.63	28.06	10.50	78	88	4.56
NT88206	27.75	32.19	14.63	92	102	8.69
NT88207	31.88	36.31	10.50	92	102	4.56
NT88208	36.00	40.44	14.63	107	117	8.69
NT88209	40.13	44.56	10.50	107	117	4.56



Both the inlet and outlet can be cast in three different positions