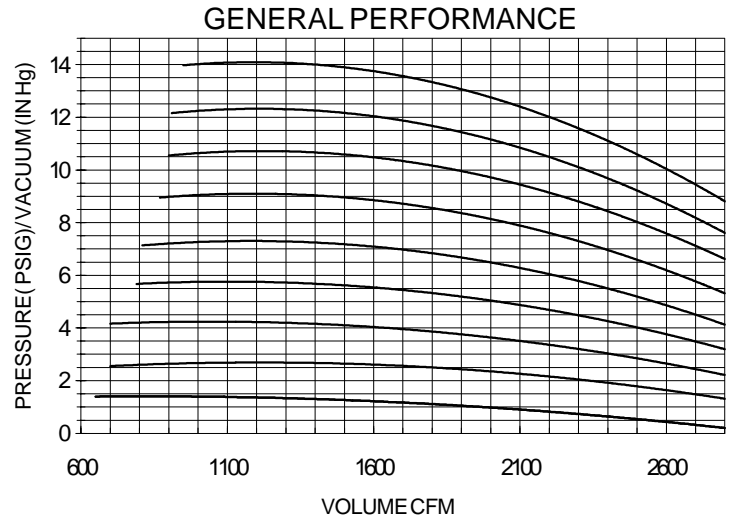
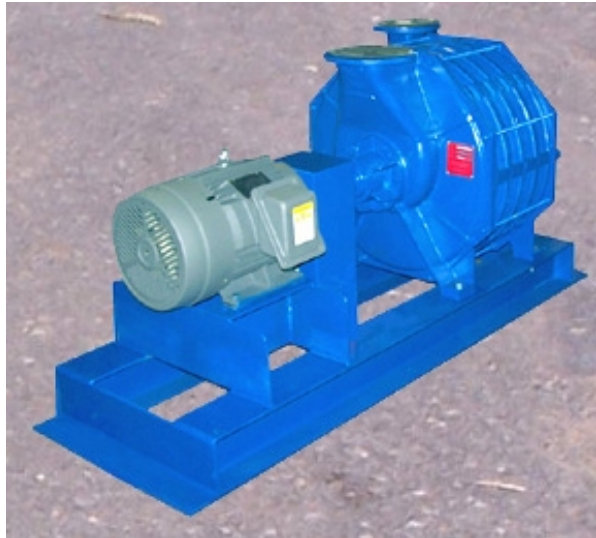




**NATIONALTURBINE CORPORATION**  
 374 Northern Lights Drive  
 Syracuse, NY 13212  
 888-293-7434 fax 315-455-5545  
 www.nationalturbine.com  
 sales@nationalturbine.com

# CENTURION SERIES TECHNICAL DATA AND DIMENSIONS

## NT881 MULTI STAGE CENTRIFUGAL BLOWER



### Technical Specifications

Number of Stages .....	1 through 9
Inlet Connection .....	8" (203.2 mm) flange, ASA 125# drilling
Outlet Connection .....	8" (203.2 mm) flange, ASA 125# drilling
Operating Speed .....	3550 RPM
Maximum Casting Pressure .....	20 PSIG (1.41 kg/cm <sup>2</sup> )
Seals (air) .....	Labyrinth
Seals (gas) .....	Packing Gland (special seals available)
Bearings .....	Ball, 10-year minimum life per AFBMA B-10 standard
Lubrication .....	Grease (standard) or Oil (optional)
Impeller Diameter .....	24" (609.6 mm)
Impeller Tip Speed .....	22,305 FPM (6,799 m/min)
Drive Type .....	Direct coupled
Max. Vibration Spec. ....	0.25 in/sec (ISO overall spec.), 1.25 mils peak to peak
Shaft End .....	1.875" (47.63 mm) diameter, inlet drive standard
Noise Level .....	Compliant with OSHA standards (certified test available)

### Materials of Construction

Casing .....	Cast Iron ASTM A48 grade 25/30
Bearing Housings .....	Cast Iron ASTM A48 grade 25/30
Bearing Caps .....	Cast Aluminum Alloy
Oil Reservoir (with optional Oil Lubrication) .....	Cast Aluminum Alloy
Shaft .....	Carbon steel AISI 4140 (stainless steel available)
Impellers .....	Cast aluminum alloy
Labyrinth Seal .....	ZA-12 Zinc Alloy
Tie Rods .....	Galvanized Steel
Gas Seals .....	Cast aluminum packing gland with braided packing
Base and Pedestal .....	Structural Steel
Joint Sealing Compound .....	RTV silicone
Base Pads .....	Neoprene rubber
Finish .....	Industrial Enamel



**100% Made in the  
 U.S.A.**

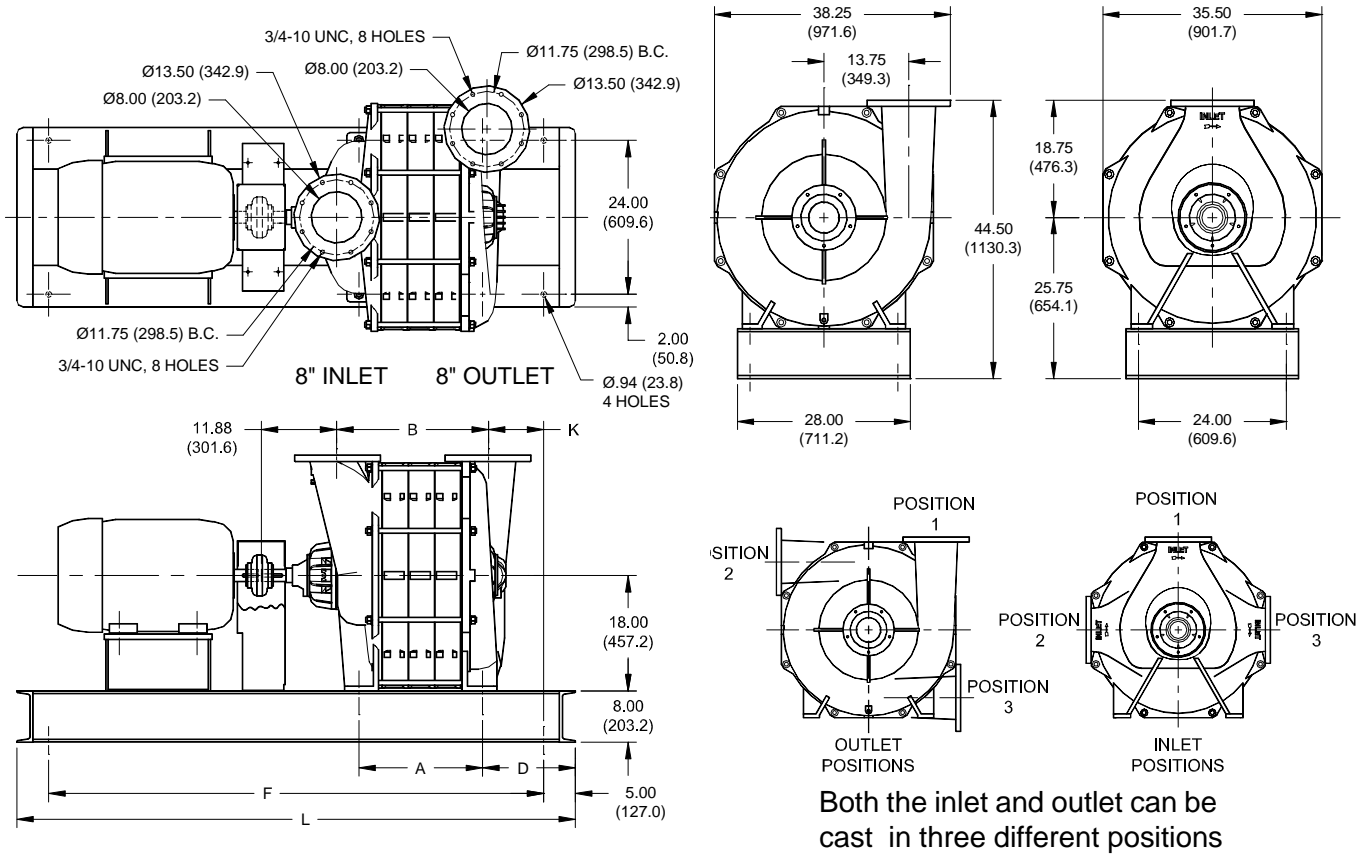


**NATIONALTURBINE CORPORATION**  
 374 Northern Lights Drive  
 Syracuse, NY 13212  
 888-293-7434 fax 315-455-5545  
 www.nationalturbine.com  
 sales@nationalturbine.com

# CENTURION SERIES TECHNICAL DATA AND DIMENSIONS

## Series NT881 Multistage Centrifugal Blower General Dimensions (all dimensions in inches)

MODEL	A	B	D	F	L	K
NT88101	7.13	11.56	10.50	52	62	4.56
NT88102	11.25	15.69	10.50	58	68	4.56
NT88103	15.38	19.81	10.50	65	75	4.56
NT88104	19.50	23.94	14.63	78	88	8.69
NT88105	23.63	28.06	10.50	78	88	4.56
NT88106	27.75	32.19	14.63	92	102	8.69
NT88107	31.88	36.31	10.50	92	102	4.56
NT88108	36.00	40.44	14.63	107	117	8.69
NT88109	40.13	44.56	10.50	107	117	4.56



Both the inlet and outlet can be cast in three different positions