



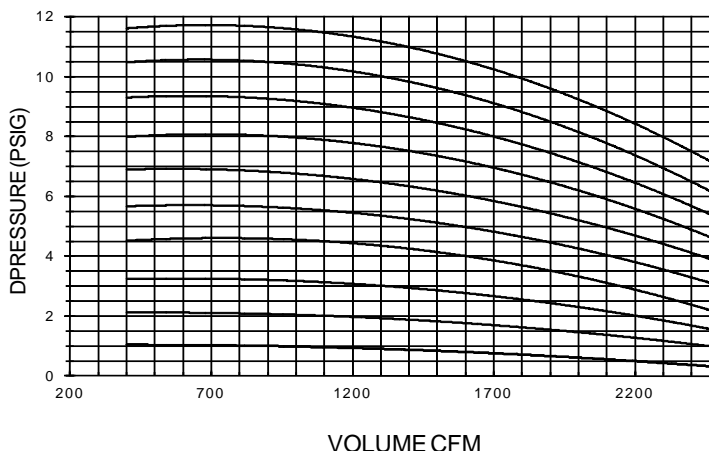
NATIONALTURBINE CORPORATION
 374 Northern Lights Drive
 Syracuse, NY 13212
 888-293-7434 fax 315-455-5545
 www.nationalturbine.com
 sales@nationalturbine.com

CENTURION SERIES TECHNICAL DATA AND DIMENSIONS

NT553 MULTI STAGE CENTRIFUGAL BLOWER



GENERAL PERFORMANCE CURVES
 1 - 9 STAGES @ 60 HERTZ



Technical Specifications

Number of Stages	1 through 9(60 Hertz) 10 stage (50 Hertz only)
Inlet Connection	6" (127 mm) Flange, ASA 125# Drilling
Outlet Connection	5" (152 mm) Flange, ASA 125# Drilling
Operating Speed	3550 RPM
Maximum Casing Pressure	25 PSIG (1.41 kg/cm ²)
Seals (air).....	Labyrinth
Seals (gas)	Packing Gland (Special Seals Available)
Bearings	Ball, 10-Year Minimum Life per AFBMA B-10 Standard (Made in U.S.A.)
Lubrication	Grease (Standard) or Oil (Optional)
Impeller Diameter	22" (558.8 mm)
Impeller Tip Speed	20,447 FPM (6,232 m/min)
First Critical Speed	4050 RPM (9 stages at 60 Hertz)
Direct Drive	Direct Coupled (belt drive available)
Max. Vibration Spec.	0.25 in/sec (ISO Overall Spec.), 1.25 Mills Peak to Peak
Shaft End	1.625" (41.28 mm) Diameter, Inlet Drive Standard
Noise Level	Compliant With OSHA Standards (Certified test available)

Materials of Construction

Casing	Cast Iron ASTM A48 grade 25/30
Bearing Housings	Cast Iron ASTM A48 grade 25/30
Bearing Caps.....	Cast Aluminum Alloy
Oil Reservoir (with optional Oil Lubrication).....	Cast Aluminum Alloy
Shaft.....	Carbon Steel AISI 4140 (Stainless Steel Available)
Impellers	Cast Aluminum Alloy
Baffle Rings.....	Stainless Steel
Labyrinth Seal	ZA-12 Zinc Alloy
Gas Seals	Cast Aluminum Packing Gland With Braided Packing
Tie Rods	Zinc Plated Steel
Base and Pedestal.....	Structural Steel
Joint Sealing Compound	RTV Silicone
Base Pads	Neoprene Rubber
Finish	Industrial Epoxy Enamel



100% Made in the U.S.A.

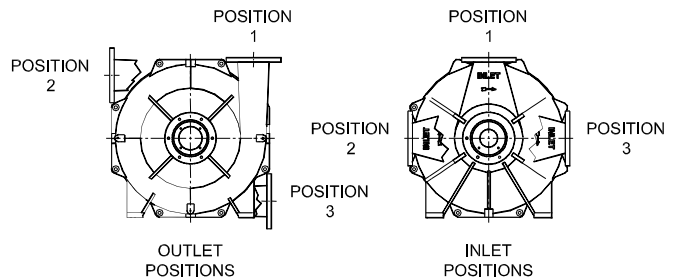
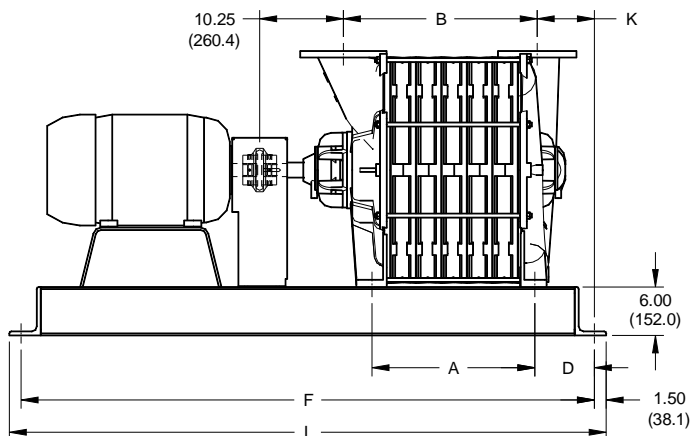
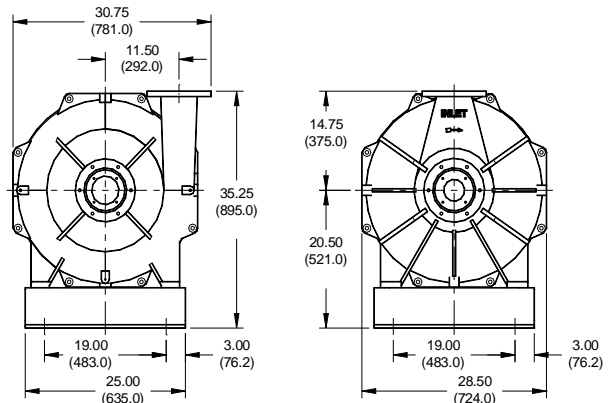
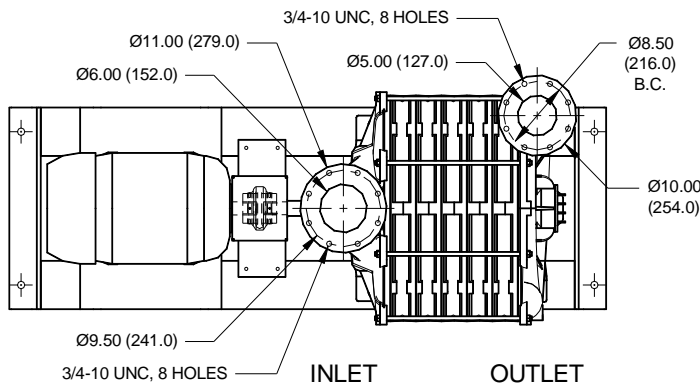


NATIONALTURBINE CORPORATION
 374 Northern Lights Drive
 Syracuse, NY 13212
 888-293-7434 fax 315-455-5545
 www.nationalturbine.com
 sales@nationalturbine.com

CENTURION SERIES TECHNICAL DATA AND DIMENSIONS

Series NT553 Multistage Centrifugal Blower General Dimensions (all dimensions in inches)

MODEL	A	B	D	F	L	K
NT55301	5.00	8.88	7.50	52	55	7.19
NT55302	8.63	12.50	7.50	57	60	7.19
NT55303	12.25	16.13	11.13	69	72	10.81
NT55304	15.88	19.75	7.50	69	72	7.19
NT55305	19.50	23.38	11.13	77	80	10.81
NT55306	23.13	27.00	7.50	77	80	7.19
NT55307	26.75	30.63	11.13	87	90	10.81
NT55308	30.38	34.25	7.50	87	90	7.19
NT55309	34.00	37.88	11.13	100	102	10.81
NT55310	37.63	41.50	7.50	100	103	7.19



Both the inlet and outlet can be cast in three different positions