



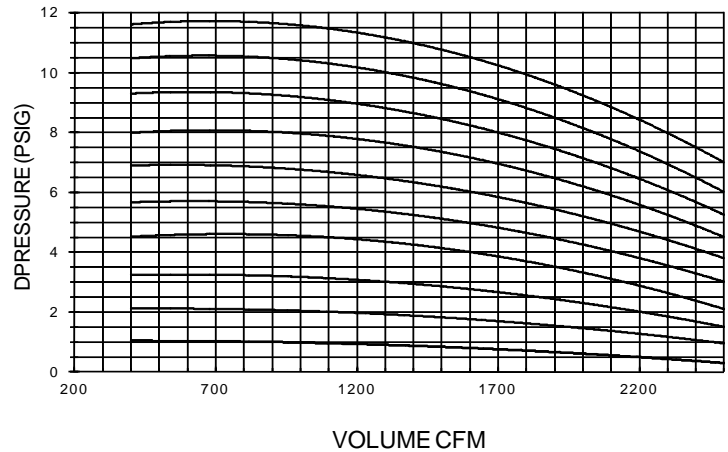
**NATIONALTURBINE CORPORATION**  
 374 Northern Lights Drive  
 Syracuse, NY 13212  
 888-293-7434 fax 315-455-5545  
 www.nationalturbine.com  
 sales@nationalturbine.com

# CENTURION SERIES TECHNICAL DATA AND DIMENSIONS

## NT553 MULTI STAGE CENTRIFUGAL BLOWER



GENERAL PERFORMANCE CURVES  
 1 - 9 STAGES



### Technical Specifications

Number of Stages .....	1 through 9
Inlet Connection .....	6" (127 mm) Flange, ASA 125# Drilling
Outlet Connection .....	5" (152 mm) Flange, ASA 125# Drilling
Operating Speed .....	3550 RPM
Maximum Casing Pressure .....	25 PSIG (1.41 kg/cm <sup>2</sup> )
Seals (air) .....	Labyrinth
Seals (gas) .....	Packing Gland (Special Seals Available)
Bearings .....	Ball, 10-Year Minimum Life per AFBMA B-10 Standard (Made in U.S.A.)
Lubrication .....	Grease (Standard) or Oil (Optional)
Impeller Diameter .....	22" (558.8 mm)
Impeller Tip Speed .....	20,447 FPM (6,232 m/min)
First Critical Speed .....	4505 RPM (10 stages)
Direct Drive .....	Direct Coupled (belt drive available)
Max. Vibration Spec. ....	0.25 in/sec (ISO Overall Spec.), 1.25 Mils Peak to Peak
Shaft End .....	1.625" (41.28 mm) Diameter, Inlet Drive Standard
Noise Level .....	Compliant With OSHA Standards (Certified test available)

### Materials of Construction

Casing .....	Cast Iron ASTM A48 grade 25/30
Bearing Housings .....	Cast Iron ASTM A48 grade 25/30
Bearing Caps.....	Cast Aluminum Alloy
Oil Reservoir (with optional Oil Lubrication).....	Cast Aluminum Alloy
Shaft.....	Carbon Steel AISI 4140 (Stainless Steel Available)
Impellers .....	Cast Aluminum Alloy
Baffle Rings.....	Stainless Steel
Labyrinth Seal .....	ZA-12 Zinc Alloy
Gas Seals .....	Cast Aluminum Packing Gland With Braided Packing
Tie Rods.....	Galvanized Steel
Base and Pedestal.....	Structural Steel
Joint Sealing Compound .....	RTV Silicone
Base Pads .....	Neoprene Rubber
Finish .....	Industrial Enamel



**100% Made in the  
 U.S.A.**

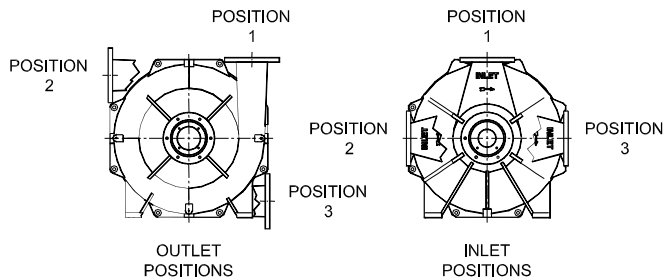
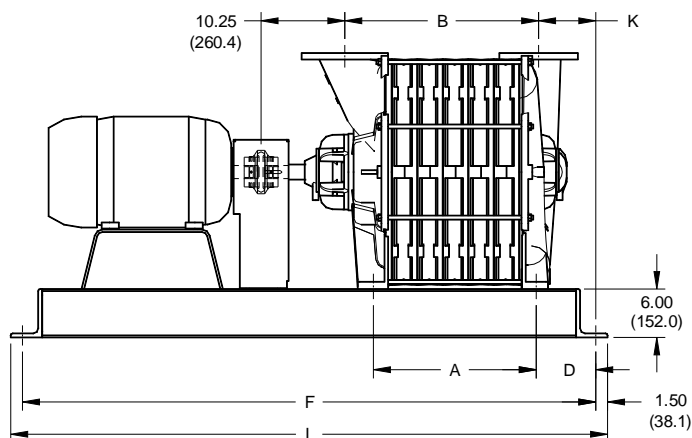
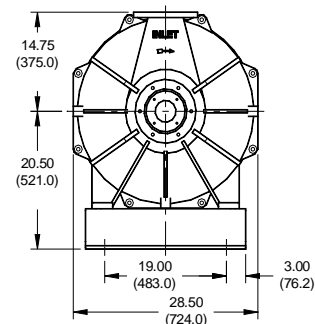
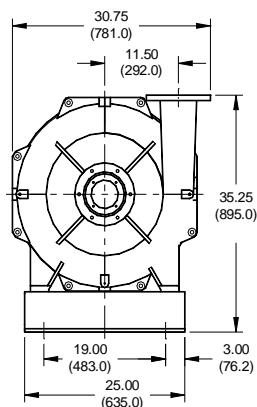
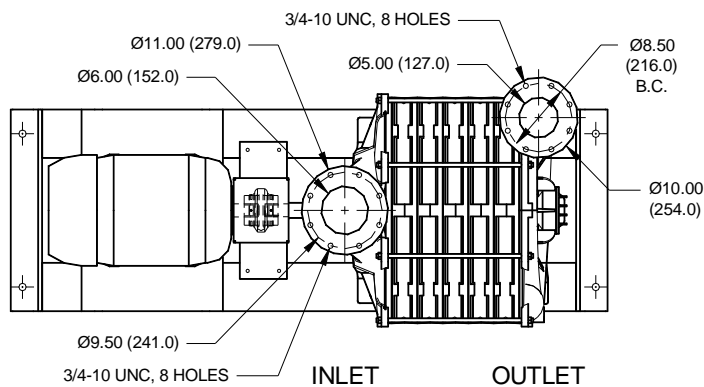


**NATIONALTURBINE CORPORATION**  
 374 Northern Lights Drive  
 Syracuse, NY 13212  
 888-293-7434 fax 315-455-5545  
 www.nationalturbine.com  
 sales@nationalturbine.com

# CENTURION SERIES TECHNICAL DATA AND DIMENSIONS

## Series NT553 Multistage Centrifugal Blower General Dimensions (all dimensions in inches)

MODEL	A	B	D	F	L	K
NT55301	5.0	8.875	7.50	52	55	7.19
NT55302	8.625	12.5	7.50	57	60	7.19
NT55303	12.25	16.125	11.125	69	72	10.81
NT55304	15.875	19.75	7.50	69	72	7.19
NT55305	19.5	23.375	11.125	77	80	10.81
NT55306	23.125	27.0	7.50	77	80	7.19
NT55307	26.75	30.625	11.125	87	90	10.81
NT55308	30.375	34.25	7.50	87	90	7.19
NT55309	34	37.875	10.75	96	99	10.44



Both the inlet and outlet can be cast in three different positions