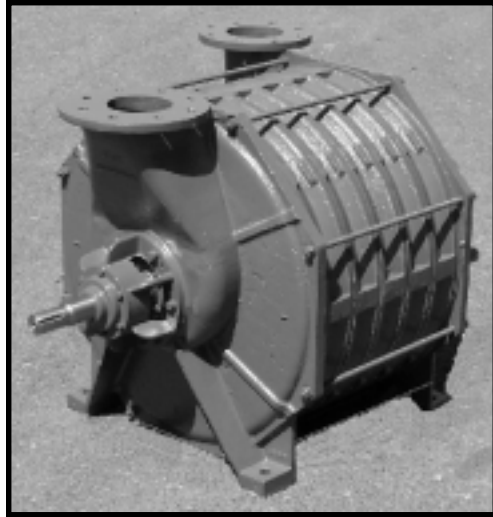




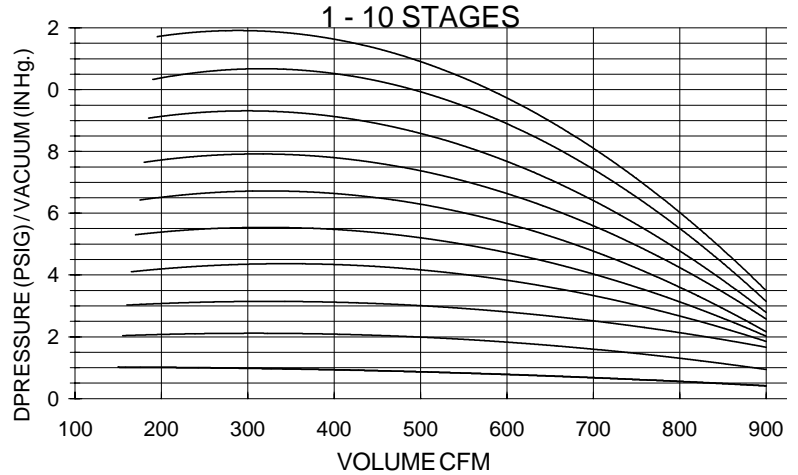
NATIONALTURBINE CORPORATION
 374 Northern Lights Drive
 Syracuse, NY 13212
 888-293-7434 fax 315-455-5545
 www.nationalturbine.com
 sales@nationalturbine.com

CENTURION SERIES TECHNICAL DATA AND DIMENSIONS

NT541 MULTI STAGE CENTRIFUGAL BLOWER



GENERAL PERFORMANCE CURVES



Technical Specifications

Number of Stages	1 through 10
Inlet Connection	5" (127 mm) Flange, ASA 125# Drilling
Outlet Connection	5" (127 mm) Flange, ASA 125# Drilling
Operating Speed.....	3550 RPM
Maximum Casing Pressure	20 PSIG (1.41 kg/cm ²)
Seals (air)	Labyrinth
Seals (gas)	Packing Gland (Special Seals Available)
Bearings	Ball, 10-Year Minimum Life per AFBMA B-10 Standard (Made in U.S.A.)
Lubrication	Grease (Standard) or Oil (Optional)
Impeller Diameter	22" (558.8 mm)
Impeller Tip Speed	20,447 FPM (6,232 m/min)
First Critical Speed	4505 RPM (10 stages)
Direct Drive	Direct Coupled (belt drive available)
Max. Vibration Spec.	0.25 in/sec (ISO Overall Spec.), 1.25 Mills Peak to Peak
Shaft End.....	1.625" (41.28 mm) Diameter, Inlet Drive Standard
Noise Level	Compliant With OSHA Standards (Certified test available)

Materials of Construction

Casing	Cast Iron ASTM A48 grade 25/30
Bearing Housings	Cast Iron ASTM A48 grade 25/30
Bearing Caps.....	Cast Aluminum Alloy
Oil Reservoir (with optional Oil Lubrication).....	Cast Aluminum Alloy
Shaft	Carbon Steel AISI 4140 (Stainless Steel Available)
Impellers	Cast Aluminum Alloy
Labyrinth Seal	ZA-12 Zinc Alloy
Gas Seals	Cast Aluminum Packing Gland With Braided Packing
Tie Rods	Galvanized Steel
Base and Pedestal	Structural Steel
Joint Sealing Compound.....	RTV Silicone
Base Pads	Neoprene Rubber
Finish	Industrial Enamel



**100% Made in the
 U.S.A.**

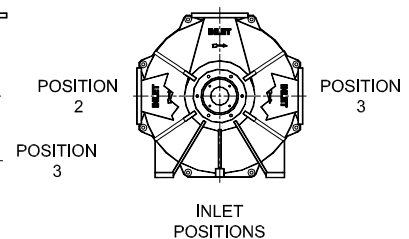
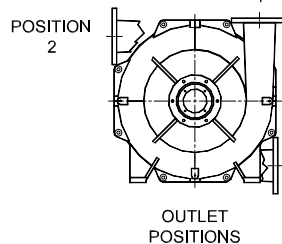
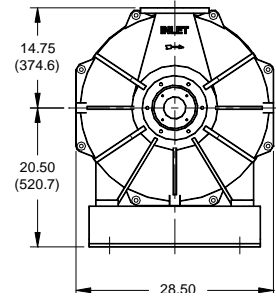
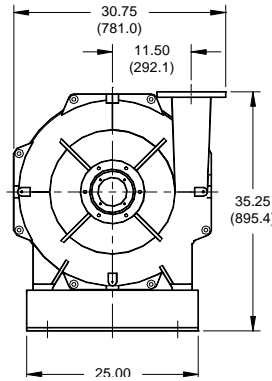
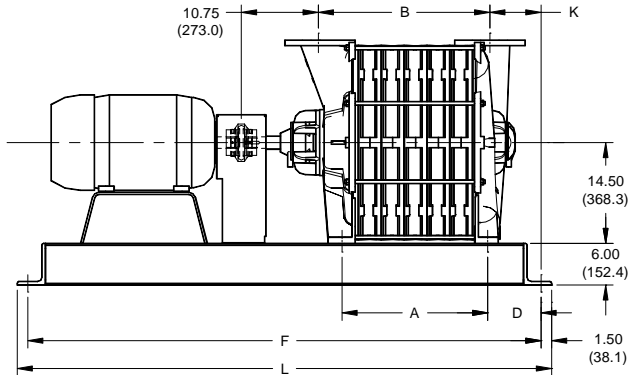
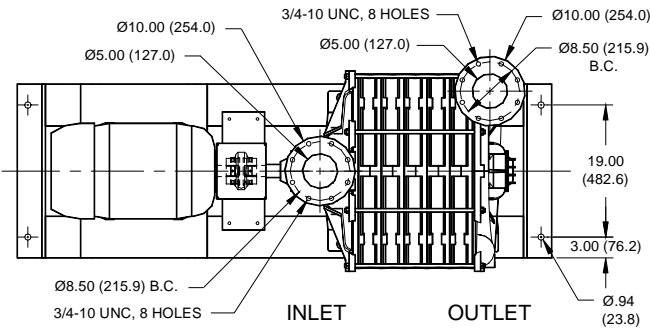


NATIONALTURBINE CORPORATION
 374 Northern Lights Drive
 Syracuse, NY 13212
 888-293-7434 fax 315-455-5545
 www.nationalturbine.com
 sales@nationalturbine.com

CENTURION SERIES TECHNICAL DATA AND DIMENSIONS

Series NT541 Multistage Centrifugal Blower General Dimensions (all dimensions in inches)

MODEL	A	B	D	F	L	K
NT54101	4.62	8.0	7.50	50	53	7.19
NT54102	7.88	11.25	7.50	56	59	7.19
NT54103	11.13	14.5	10.75	64	67	10.44
NT54104	14.38	17.75	7.50	64	67	7.19
NT54105	17.62	21.0	10.75	73	76	10.44
NT54106	20.88	24.25	7.50	73	76	7.19
NT54107	24.13	27.5	10.75	81	84	10.44
NT54108	27.38	30.75	7.50	81	84	7.19
NT54109	30.62	34.0	10.75	91	94	10.44
NT54110	33.88	37.25	7.50	91	94	7.19



Both the inlet and outlet can be cast in three different positions