



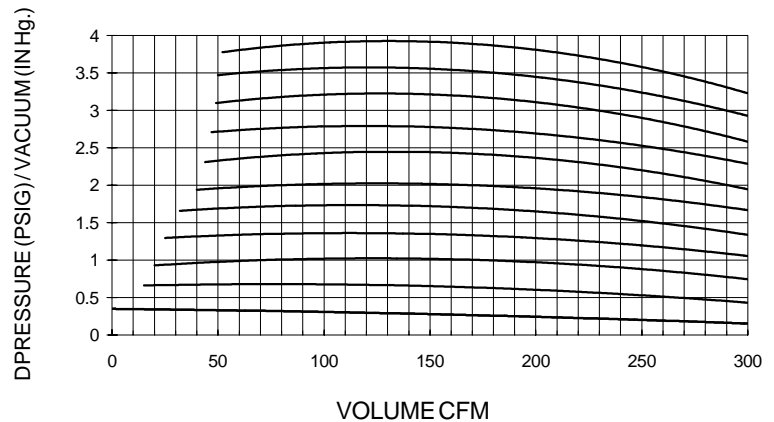
NATIONALTURBINE CORPORATION
 374 Northern Lights Drive
 Syracuse, NY 13212
 888-293-7434 fax 315-455-5545
 www.nationalturbine.com
 sales@nationalturbine.com

CENTURION SERIES TECHNICAL DATA AND DIMENSIONS

NT331 MULTI STAGE DIRECT DRIVE CENTRIFUGAL BLOWERS & EXHAUSTERS



GENERAL PERFORMANCE CURVES
 1-11 STAGE DIRECT DRIVE



Technical Specifications

- Number of Stages 1 through 11
- Inlet Connection 3" (76.2 mm) Flange, ASA 125# Drilling
- Outlet Connection 3" (76.2 mm) Flange, ASA 125# Drilling
- Operating Speed 3550 RPM
- Maximum Casing Pressure 15 PSIG (1.05 kg/cm²)
- Seals (air) Labyrinth
- Seals (gas) Packing Gland Style
- Bearings Ball, 10-Year Minimum Life Per AFBMA B-10 Standard (Made in U.S.A.)
- Lubrication Grease
- Impeller Diameter 14.5" (368.3 mm)
- Impeller Tip Speed 13,476 FPM (4,107 m/min)
- Drive Type Direct Coupled (belt drive available)
- Max. Vibration Spec. 0.25 in/sec (ISO overall spec.), 1.25 mils peak to peak
- Shaft End 1.125" (28.58 mm) Diameter, Inlet Drive Standard
- Noise Level Compliant With OSHA Standards (Certified test available)

Materials of Construction

- Casing Cast Iron ASTM A48 grade 25/30
- Bearing Housings Cast Iron ASTM A48 grade 25/30
- Bearing Caps Cast Aluminum Alloy
- Shaft Carbon Steel AISI 4140 (stainless steel available)
- Impellers Cast Aluminum Alloy
- Labyrinth Seal ZA-12 Zinc Alloy
- Gas Seals Cast Aluminum Packing Gland with Braided Packing
- Tie Rods Galvanized Steel
- Base Structural Steel
- Motor Pedestal Welded steel plate
- Joint Sealing Compound RTV silicone
- Base Pads Neoprene rubber
- Finish Industrial Enamel



**100% Made in the
 U.S.A.**



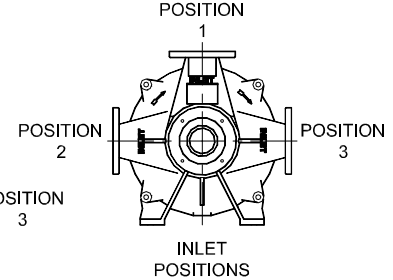
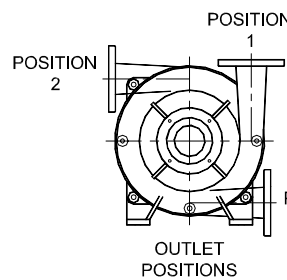
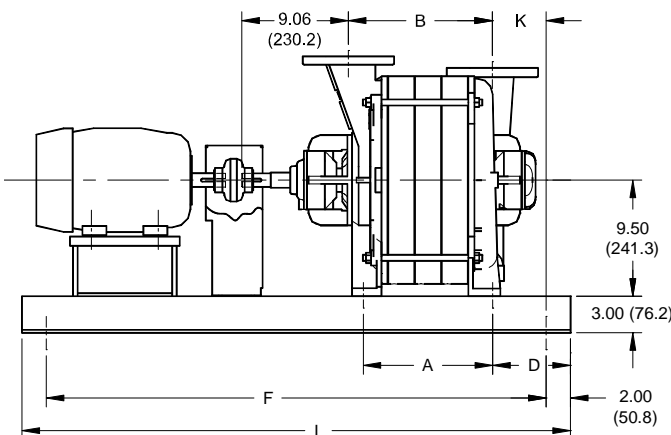
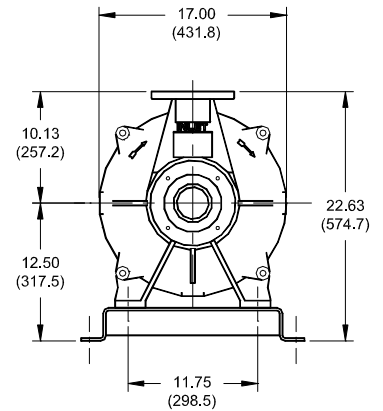
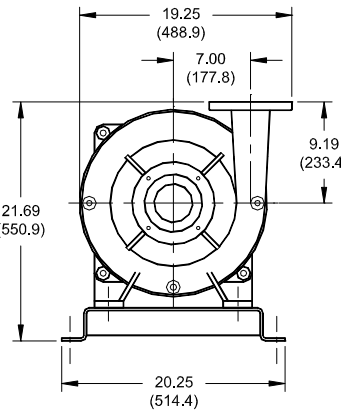
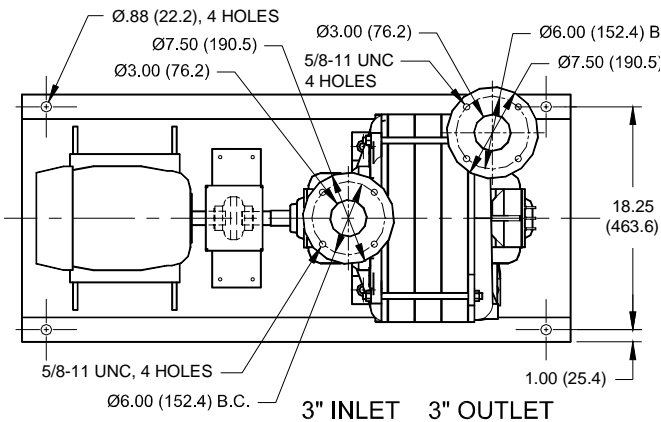
NATIONALTURBINE CORPORATION
 374 Northern Lights Drive
 Syracuse, NY 13212
 888-293-7434 fax 315-455-5545
 www.nationalturbine.com
 sales@nationalturbine.com

CENTURION SERIES TECHNICAL DATA AND DIMENSIONS

Series NT331 Multistage Centrifugal Blower

GENERAL DIMENSIONS (All dimensions in inches)

MODEL	A	B	D	F	L	K
NT33101	4.13	4.94	8.38	3.5	3.9	6.44
NT33102	6.31	7.13	6.19	3.5	3.9	4.25
NT33103	8.5	9.31	8.5	4.1	4.5	6.56
NT33104	10.69	11.5	6.31	4.1	4.5	4.38
NT33105	12.88	13.69	8.38	4.6	5.0	6.44
NT33106	15.06	15.88	6.19	4.6	5.0	4.25
NT33107	17.25	18.06	8.5	5.3	5.7	6.56
NT33108	19.44	20.25	6.31	5.3	5.7	4.38
NT33109	21.62	22.44	8.38	5.6	6.0	6.44
NT33110	23.81	24.63	6.19	5.6	6.0	4.25
NT33111	26.00	26.81	6.25	6.1	6.5	4.31



Both the inlet and outlet can be cast in three different positions